

# EVAPORATORS

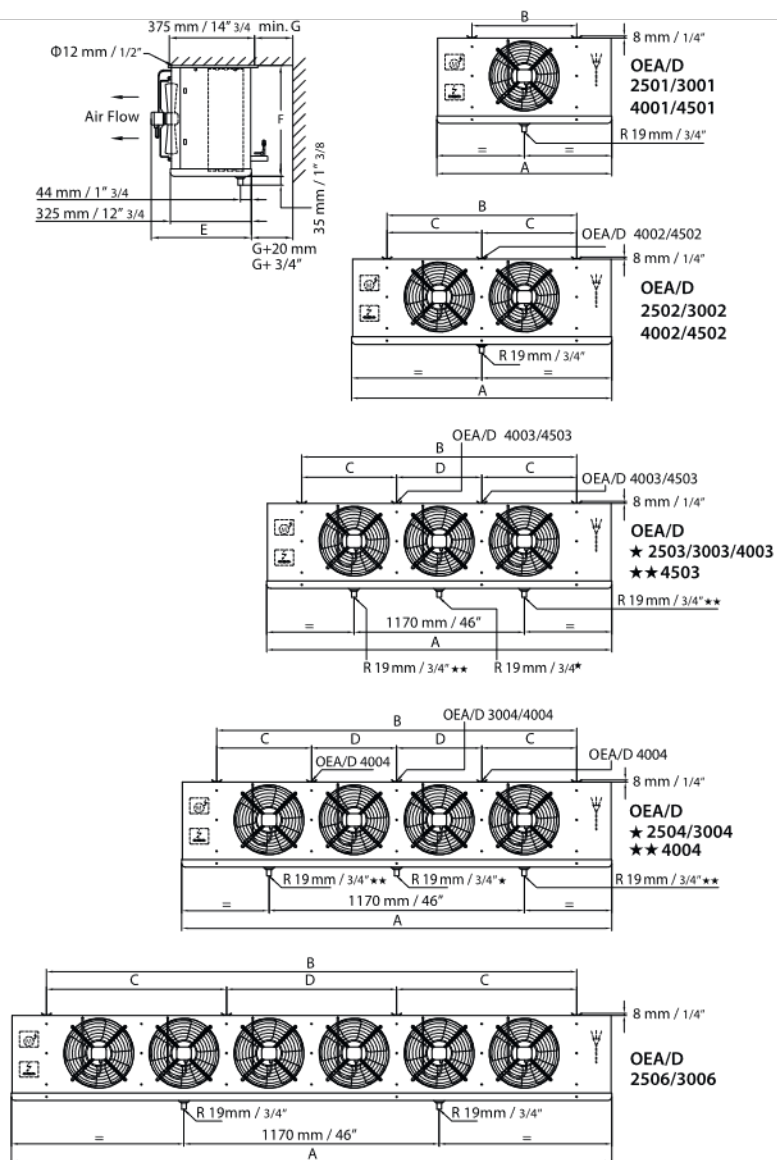
## EVAPORADORES

©2017 UL LLC



SERIE  
**OEA**  
SERIES

2/15



**OEA/D**  
2501/3001/4001/4501



**OEA/D**  
2502/3002/4002/4502



**OEA/D**  
2503/3003/4003/4503



**OEA/D**  
2504/3004/4004



**OEA/D**  
2506/3006

# EVAPORATORS

## EVAPORADORES

©2017 UL LLC



SERIE  
**OEA**  
SERIES

6/15

5 Fins per inch. With heater,  $Rt \geq -0,4^{\circ}F$   
Espacio entre aletas 6 mm. Con resistencia,  $Rt \geq -18^{\circ}C$

### General information / Datos generales

| Model<br>Modelo | Capacity / Capacidad<br>R404A/R507A |       |                    |       | Surface<br>Superficie |                 | Tube<br>Volume<br>Volumen<br>Interno |                 | Dimensions<br>Dimensiones |         |      |         |     |        |     |        |     |        |     |        | Net Weight<br>Peso Neto |        | Connection<br>Conexión |        |                  |     |                  |       |
|-----------------|-------------------------------------|-------|--------------------|-------|-----------------------|-----------------|--------------------------------------|-----------------|---------------------------|---------|------|---------|-----|--------|-----|--------|-----|--------|-----|--------|-------------------------|--------|------------------------|--------|------------------|-----|------------------|-------|
|                 | te= -8°C<br>17,6°F                  |       | te= -25°C<br>-13°F |       |                       |                 |                                      |                 | A                         |         | B    |         | C   |        | D   |        | E   |        | F   |        |                         |        | G                      |        | Inlet<br>Entrada |     | Outlet<br>Salida |       |
|                 | DT1= 8K<br>14,4°F                   |       | DT1= 7K<br>12,6°F  |       |                       |                 |                                      |                 |                           |         |      |         |     |        |     |        |     |        |     |        |                         |        |                        |        |                  |     |                  |       |
|                 | BTU/h                               | Kw    | BTU/h              | Kw    | m <sup>2</sup>        | ft <sup>2</sup> | dm <sup>3</sup>                      | ft <sup>3</sup> | mm                        | in      | mm   | in      | mm  | in     | mm  | in     | mm  | in     | mm  | in     | kg                      | lb     | mm                     | in     | mm               | in  |                  |       |
| OEA 2501 06 6D  | 5425                                | 1,59  | 3942               | 1,15  | 6                     | 65              | 1,8                                  | 0,06            | 702                       | 27 5/8  | 420  | 16 1/2  | -   | -      | -   | -      | 430 | 17     | 350 | 13 3/4 | 200                     | 7 7/8  | 13                     | 28,66  | 12               | 1/2 | 16               | 5/8   |
| OEA 2502 11 6D  | 10452                               | 3,06  | 7631               | 2,24  | 11                    | 118             | 3,2                                  | 0,11            | 1094                      | 43      | 812  | 32      | -   | -      | -   | -      | 430 | 17     | 350 | 13 3/4 | 200                     | 7 7/8  | 23                     | 50,71  | 12               | 1/2 | 19               | 3/4   |
| OEA 2503 17 6D  | 15371                               | 4,50  | 11212              | 3,28  | 17                    | 183             | 4,7                                  | 0,17            | 1486                      | 58 1/2  | 1204 | 47 3/8  | -   | -      | -   | -      | 430 | 17     | 350 | 13 3/4 | 200                     | 7 7/8  | 33                     | 72,75  | 12               | 1/2 | 22               | 7/8   |
| OEA 2504 23 6D  | 20543                               | 6,02  | 14973              | 4,39  | 23                    | 248             | 6,1                                  | 0,22            | 1878                      | 74      | 1596 | 62 7/8  | -   | -      | -   | -      | 430 | 17     | 350 | 13 3/4 | 200                     | 7 7/8  | 43                     | 94,80  | 12               | 1/2 | 22               | 7/8   |
| OEA 2506 35 6D  | 31429                               | 9,21  | 22930              | 6,72  | 35                    | 377             | 8,7                                  | 0,31            | 2662                      | 104 6/8 | 2380 | 93 3/4  | 798 | 31 3/8 | 784 | 30 7/8 | 430 | 17     | 350 | 13 3/4 | 250                     | 9 7/8  | 66                     | 145,51 | 15               | 5/8 | 28               | 1 1/8 |
| OEA 3001 08 6D  | 7125                                | 2,09  | 5208               | 1,53  | 8                     | 86              | 2,4                                  | 0,08            | 702                       | 27 5/8  | 420  | 16 1/2  | -   | -      | -   | -      | 415 | 16 1/3 | 460 | 18 1/8 | 200                     | 7 7/8  | 18                     | 39,68  | 12               | 1/2 | 19               | 3/4   |
| OEA 3002 15 6D  | 14431                               | 4,23  | 10525              | 3,08  | 15                    | 161             | 4,3                                  | 0,15            | 1094                      | 43      | 812  | 32      | -   | -      | -   | -      | 415 | 16 1/3 | 460 | 18 1/8 | 200                     | 7 7/8  | 30                     | 66,14  | 12               | 1/2 | 22               | 7/8   |
| OEA 3003 23 6D  | 21845                               | 6,40  | 15914              | 4,66  | 23                    | 248             | 6,2                                  | 0,22            | 1486                      | 58 1/2  | 1204 | 47 3/8  | -   | -      | -   | -      | 415 | 16 1/3 | 460 | 18 1/8 | 250                     | 9 7/8  | 43                     | 94,80  | 12               | 1/2 | 22               | 7/8   |
| OEA 3004 31 6D  | 28717                               | 8,41  | 20977              | 6,14  | 31                    | 334             | 8,2                                  | 0,29            | 1878                      | 74      | 1596 | 62 7/8  | -   | -      | -   | -      | 415 | 16 1/3 | 460 | 18 1/8 | 250                     | 9 7/8  | 56                     | 123,46 | 15               | 1/2 | 28               | 1 1/8 |
| OEA 3006 46 6D  | 43147                               | 12,64 | 31538              | 9,24  | 46                    | 495             | 11,6                                 | 0,41            | 2662                      | 104 6/8 | 2380 | 93 3/4  | 798 | 31 3/8 | 784 | 30 7/8 | 415 | 16 1/3 | 460 | 18 1/8 | 300                     | 11 3/4 | 83                     | 182,98 | 15               | 1/2 | 28               | 1 1/8 |
| OEA 4001 13 6D  | 13635                               | 3,99  | 9837               | 2,88  | 13                    | 140             | 3,5                                  | 0,12            | 912                       | 36      | 630  | 24 3/4  | -   | -      | -   | -      | 455 | 18     | 530 | 20 7/8 | 250                     | 9 7/8  | 28                     | 61,73  | 12               | 1/2 | 19               | 3/4   |
| OEA 4002 27 6D  | 26402                               | 7,73  | 19060              | 5,58  | 27                    | 291             | 7,2                                  | 0,25            | 1486                      | 58 1/2  | 1204 | 47 3/8  | 602 | 23 6/8 | -   | -      | 455 | 18     | 530 | 20 7/8 | 300                     | 11 3/4 | 53                     | 116,84 | 15               | 1/2 | 22               | 7/8   |
| OEA 4003 36 6D  | 33346                               | 9,77  | 24015              | 7,03  | 36                    | 388             | 9,6                                  | 0,34            | 1878                      | 74      | 1596 | 62 7/8  | 551 | 21 6/8 | 494 | 19 4/8 | 455 | 18     | 530 | 20 7/8 | 300                     | 11 3/4 | 68                     | 149,91 | 15               | 1/2 | 28               | 1 1/8 |
| OEA 4004 54 6D  | 55191                               | 16,17 | 39748              | 11,64 | 54                    | 581             | 14,4                                 | 0,51            | 2662                      | 104 6/8 | 2380 | 93 3/4  | 597 | 23 1/2 | 593 | 23 1/3 | 455 | 18     | 530 | 20 7/8 | 350                     | 13 3/4 | 103                    | 227,08 | 15               | 1/2 | 35               | 1 3/8 |
| OEA 4501 20 6D  | 19892                               | 5,83  | 14503              | 4,25  | 20                    | 215             | 5,5                                  | 0,19            | 1094                      | 43      | 812  | 32      | -   | -      | -   | -      | 460 | 18 1/8 | 600 | 23 5/8 | 300                     | 11 3/4 | 38                     | 83,78  | 12               | 1/2 | 22               | 7/8   |
| OEA 4502 41 6D  | 39639                               | 11,61 | 29006              | 8,50  | 41                    | 441             | 10,5                                 | 0,37            | 1878                      | 74      | 1596 | 62 7/8  | 798 | 31 3/8 | -   | -      | 460 | 18 1/8 | 600 | 23 5/8 | 300                     | 11 3/4 | 75                     | 165,35 | 15               | 1/2 | 28               | 1 1/8 |
| OEA 4503 61 6D  | 56131                               | 16,44 | 41050              | 12,02 | 61                    | 657             | 15,5                                 | 0,55            | 2662                      | 104 6/8 | 2380 | 93 3/4  | 798 | 31 3/8 | 784 | 30 7/8 | 460 | 18 1/8 | 600 | 23 5/8 | 350                     | 13 3/4 | 115                    | 253,53 | 15               | 1/2 | 35               | 1 3/8 |
| OEA 5001 26 6D  | 26547                               | 7,78  | 20615              | 6,04  | 26                    | 280             | 7,1                                  | 0,25            | 1165                      | 45 7/8  | 850  | 33 1/2  | -   | -      | -   | -      | 455 | 18     | 740 | 29 1/8 | 300                     | 11 3/4 | 65                     | 143,30 | 15               | 1/2 | 28               | 1 1/8 |
| OEA 5001 39 6D  | 35986                               | 10,54 | 27125              | 7,95  | 39                    | 420             | 10,6                                 | 0,37            | 1165                      | 45 7/8  | 850  | 33 1/2  | -   | -      | -   | -      | 455 | 18     | 740 | 29 1/8 | 300                     | 11 3/4 | 77                     | 169,76 | 15               | 1/2 | 28               | 1 1/8 |
| OEA 5002 54 6D  | 53527                               | 15,68 | 41592              | 12,18 | 54                    | 581             | 14                                   | 0,49            | 2015                      | 79 1/3  | 1700 | 67      | 850 | 33 1/2 | -   | -      | 455 | 18     | 740 | 29 1/8 | 400                     | 15 3/4 | 117                    | 257,94 | 15               | 1/2 | 35               | 1 3/8 |
| OEA 5002 81 6D  | 73419                               | 21,51 | 54612              | 16,00 | 81                    | 872             | 21                                   | 0,74            | 2015                      | 79 1/3  | 1700 | 67      | 850 | 33 1/2 | -   | -      | 455 | 18     | 740 | 29 1/8 | 400                     | 15 3/4 | 141                    | 310,85 | 15               | 1/2 | 35               | 1 3/8 |
| OEA 5003 82 6D  | 82823                               | 24,26 | 60218              | 17,64 | 82                    | 883             | 21,1                                 | 0,75            | 2865                      | 112 6/8 | 2550 | 100 3/8 | 850 | 33 1/2 | 850 | 33 1/2 | 455 | 18     | 740 | 29 1/8 | 450                     | 17 3/4 | 169                    | 372,58 | 22               | 3/4 | 42               | 1 5/8 |
| OEA 5003 122 6D | 109767                              | 32,15 | 80653              | 23,62 | 122                   | 1313            | 31,5                                 | 1,11            | 2865                      | 112 6/8 | 2550 | 100 3/8 | 850 | 33 1/2 | 850 | 33 1/2 | 455 | 18     | 740 | 29 1/8 | 450                     | 17 3/4 | 206                    | 454,15 | 22               | 3/4 | 42               | 1 5/8 |

### Electric data / Datos eléctricos

| Model<br>Modelo | Axial Fans<br>Ventilador con Motor Axial |    |                    |                   |                       |                             | Electric Defrost<br>Desescarche Eléctrico |    |                |                      |                |       |
|-----------------|--|----|--------------------|-------------------|-----------------------|-----------------------------|---|----|----------------|----------------------|----------------|-------|
|                 | Diameter<br>Diámetro                     | Nº | Voltage<br>Voltaje | Power<br>Potencia | Current<br>Intensidad | Air Flow<br>Volumen de Aire | Air Throw<br>Tiro                         |    | Coil<br>Aletas | Drain Pan<br>Desagüe | Total<br>Total |       |
|                 |  |    | V 60 Hz            | W                 | A                     | m <sup>3</sup> /h           | CFM                                       | m  | ft             | w                    | w              | w     |
| OEA 2501 06 6D  | 250                                      | 1  | 1~220              | 58                | 0,27                  | 1183                        | 696                                       | 4  | 13 1/8         | 2 x 440              | 1 x 440        | 1320  |
| OEA 2502 11 6D  | 250                                      | 2  | 1~220              | 116               | 0,54                  | 2366                        | 1393                                      | 7  | 23             | 2 x 730              | 1 x 730        | 2190  |
| OEA 2503 17 6D  | 250                                      | 3  | 1~220              | 174               | 0,81                  | 3549                        | 2089                                      | 8  | 26 1/4         | 2 x 1030             | 1 x 1030       | 3090  |
| OEA 2504 23 6D  | 250                                      | 4  | 1~220              | 232               | 1,08                  | 4732                        | 2785                                      | 9  | 29 1/2         | 2 x 1310             | 1 x 1310       | 3930  |
| OEA 2506 35 6D  | 250                                      | 6  | 1~220              | 348               | 1,62                  | 7098                        | 4178                                      | 12 | 39 3/8         | 2 x 1890             | 1 x 1890       | 5670  |
| OEA 3001 08 6D  | 300                                      | 1  | 1~220              | 97                | 0,45                  | 2009                        | 1182                                      | 5  | 16 2/5         | 3 x 440              | 1 x 440        | 1760  |
| OEA 3002 15 6D  | 300                                      | 2  | 1~220              | 194               | 0,90                  | 4018                        | 2365                                      | 7  | 23             | 3 x 730              | 1 x 730        | 2920  |
| OEA 3003 23 6D  | 300                                      | 3  | 1~220              | 291               | 1,35                  | 6027                        | 3547                                      | 10 | 32 4/5         | 3 x 1030             | 1 x 1030       | 4120  |
| OEA 3004 31 6D  | 300                                      | 4  | 1~220              | 388               | 1,80                  | 8036                        | 4730                                      | 11 | 36             | 3 x 1310             | 1 x 1310       | 5240  |
| OEA 3006 46 6D  | 300                                      | 6  | 1~220              | 582               | 2,70                  | 12054                       | 7095                                      | 12 | 39 3/8         | 3 x 1890             | 1 x 1890       | 7560  |
| OEA 4001 13 6D  | 400                                      | 1  | 1~220              | 223               | 1,03                  | 4311                        | 2537                                      | 9  | 29 1/2         | 4 x 550              | 1 x 550        | 2750  |
| OEA 4002 27 6D  | 400                                      | 2  | 1~220              | 446               | 2,06                  | 8622                        | 5075                                      | 12 | 39 3/8         | 4 x 1030             | 1 x 1030       | 5150  |
| OEA 4003 36 6D  | 400                                      | 3  | 1~220              | 669               | 3,09                  | 12933                       | 7612                                      | 13 | 42 3/4         | 4 x 1310             | 1 x 1310       | 6550  |
| OEA 4004 54 6D  | 400                                      | 4  | 1~220              | 892               | 4,12                  | 17244                       | 10149                                     | 15 | 49 1/4         | 4 x 1890             | 1 x 1890       | 9450  |
| OEA 4501 20 6D  | 450                                      | 1  | 1~220              | 346               | 1,60                  | 5724                        | 3369                                      | 13 | 42 3/4         | 4 x 730              | 1 x 730        | 3650  |
| OEA 4502 41 6D  | 450                                      | 2  | 3~220              | 660               | 2,22                  | 11268                       | 6632                                      | 15 | 49 1/4         | 4 x 1310             | 1 x 1310       | 6550  |
| OEA 4503 61 6D  | 450                                      | 3  | 3~220              | 990               | 3,33                  | 16902                       | 9948                                      | 17 | 55 3/4         | 4 x 1890             | 1 x 1890       | 9450  |
| OEA 5001 26 6D  | 500                                      | 1  | 3~220              | 1100              | 3,30                  | 7500                        | 4414                                      | 26 | 85 1/4         | 6x730                | 1x730          | 5110  |
| OEA 5001 39 6D  | 500                                      | 1  | 3~220              | 1100              | 3,30                  | 7500                        | 4414                                      | 25 | 82             | 7x730                | 2x730          | 6570  |
| OEA 5002 54 6D  | 500                                      | 2  | 3~220              | 2200              | 6,60                  | 15000                       | 8829                                      | 28 | 91 3/4         | 6x1400               | 1x1400         | 9800  |
| OEA 5002 81 6D  | 500                                      | 2  | 3~220              | 2200              | 6,60                  | 15000                       | 8829                                      | 27 | 88 1/2         | 7x1400               | 2x1400         | 12600 |
| OEA 5003 82 6D  | 500                                      | 3  | 3~220              | 3300              | 9,90                  | 22500                       | 13243                                     | 30 | 98 1/2         | 6x2050               | 1x2050         | 14350 |
| OEA 5003 122 6D | 500                                      | 3  | 3~220              | 3300              | 9,90                  | 22500                       | 13243                                     | 29 | 95 1/4         | 7x2050               | 2x2050         | 18450 |

# EVAPORATORS

## EVAPORADORES

©2017 UL LLC



SERIE  
**OEA**  
SERIES

7/15

### Equipped / Equipado

### General information / Datos generales

5 Fins per inch. With heater,  $Rt \geq -0,4^{\circ}F$   
Espacio entre aletas 6 mm. Con resistencia,  $Rt \geq -18^{\circ}C$

| Modelo<br>Modelo | Capacity / Capacidad<br>R404A/R507A |      |                    |      | Surface<br>Superficie |                 | Tube<br>Volume<br>Volumen<br>Interno |                 | Dimensions<br>Dimensiones |        |      |        |    |    |    |    |     |        |     |        | Net Weight<br>Peso Neto |       | Connection<br>Conexión |       |                  |     |                  |     |
|------------------|-------------------------------------|------|--------------------|------|-----------------------|-----------------|--------------------------------------|-----------------|---------------------------|--------|------|--------|----|----|----|----|-----|--------|-----|--------|-------------------------|-------|------------------------|-------|------------------|-----|------------------|-----|
|                  | te= -8°C<br>17,6°F                  |      | te= -25°C<br>-13°F |      |                       |                 |                                      |                 | A                         |        | B    |        | C  |    | D  |    | E   |        | F   |        |                         |       | G                      |       | Inlet<br>Entrada |     | Outlet<br>Salida |     |
|                  | DT1= 8K<br>14,4°F                   |      | DT1= 7K<br>12,6°F  |      | m <sup>2</sup>        | ft <sup>2</sup> | dm <sup>3</sup>                      | ft <sup>3</sup> | mm                        | in     | mm   | in     | mm | in | mm | in | mm  | in     | mm  | in     | kg                      | lb    | mm                     | in    | mm               | in  |                  |     |
|                  | BTU/h                               | Kw   | BTU/h              | Kw   |                       |                 |                                      |                 |                           |        |      |        |    |    |    |    |     |        |     |        |                         |       |                        |       |                  |     |                  |     |
| OEA 2501 06 6DE  | 5425                                | 1,59 | 3942               | 1,15 | 6                     | 65              | 1,8                                  | 0,06            | 702                       | 27 5/8 | 420  | 16 1/2 | -  | -  | -  | -  | 430 | 17     | 350 | 13 3/4 | 200                     | 7 7/8 | 13                     | 28,66 | 12               | 1/2 | 16               | 5/8 |
| OEA 2502 11 6DE  | 10452                               | 3,06 | 7631               | 2,24 | 11                    | 118             | 3,2                                  | 0,11            | 1094                      | 43     | 812  | 32     | -  | -  | -  | -  | 430 | 17     | 350 | 13 3/4 | 200                     | 7 7/8 | 23                     | 50,71 | 12               | 1/2 | 19               | 3/4 |
| OEA 2503 17 6DE  | 15371                               | 4,50 | 11212              | 3,28 | 17                    | 183             | 4,7                                  | 0,17            | 1486                      | 58 1/2 | 1204 | 47 3/8 | -  | -  | -  | -  | 430 | 17     | 350 | 13 3/4 | 200                     | 7 7/8 | 33                     | 72,75 | 12               | 1/2 | 22               | 7/8 |
| OEA 3001 08 6DE  | 7125                                | 2,09 | 5208               | 1,53 | 8                     | 86              | 2,4                                  | 0,08            | 702                       | 27 5/8 | 420  | 16 1/2 | -  | -  | -  | -  | 415 | 16 1/3 | 460 | 18 1/8 | 200                     | 7 7/8 | 18                     | 39,68 | 12               | 1/2 | 19               | 3/4 |
| OEA 3002 15 6DE  | 14431                               | 4,23 | 10525              | 3,08 | 15                    | 161             | 4,3                                  | 0,15            | 1094                      | 43     | 812  | 32     | -  | -  | -  | -  | 415 | 16 1/3 | 460 | 18 1/8 | 200                     | 7 7/8 | 30                     | 66,14 | 12               | 1/2 | 22               | 7/8 |
| OEA 3003 23 6DE  | 21845                               | 6,40 | 15914              | 4,66 | 23                    | 248             | 6,2                                  | 0,22            | 1486                      | 58 1/2 | 1204 | 47 3/8 | -  | -  | -  | -  | 415 | 16 1/3 | 460 | 18 1/8 | 250                     | 9 7/8 | 43                     | 94,80 | 12               | 1/2 | 22               | 7/8 |

### Electric data / Datos eléctricos

| Modelo<br>Modelo | Axial Fans<br>Ventilador con Motor Axial |    |                    |                   |                       |                             | Electric Defrost<br>Desescarche Eléctrico |                |                      |                |          |      |
|------------------|--|----|--------------------|-------------------|-----------------------|-----------------------------|---|----------------|----------------------|----------------|----------|------|
|                  | Diameter<br>Diámetro                     | Nº | Voltage<br>Voltaje | Power<br>Potencia | Current<br>Intensidad | Air Flow<br>Volumen de Aire | Air Throw<br>Tiro                         | Coil<br>Aletas | Drain Pan<br>Desagüe | Total<br>Total |          |      |
|                  |  |    | V 60 Hz            | W                 | A                     | m <sup>3</sup> /h           | CFM                                       | m              | ft                   | w              | w        | w    |
| OEA 2501 06 6DE  | 250                                      | 1  | 1~220              | 58                | 0,27                  | 1183                        | 696                                       | 4              | 13 1/8               | 2 x 440        | 1 x 440  | 1320 |
| OEA 2502 11 6DE  | 250                                      | 2  | 1~220              | 116               | 0,54                  | 2366                        | 1393                                      | 7              | 23                   | 2 x 730        | 1 x 730  | 2190 |
| OEA 2503 17 6DE  | 250                                      | 3  | 1~220              | 174               | 0,81                  | 3549                        | 2089                                      | 8              | 26 1/4               | 2 x 1030       | 1 x 1030 | 3090 |
| OEA 3001 08 6DE  | 300                                      | 1  | 1~220              | 97                | 0,45                  | 2009                        | 1182                                      | 5              | 16 2/5               | 3 x 440        | 1 x 440  | 1760 |
| OEA 3002 15 6DE  | 300                                      | 2  | 1~220              | 194               | 0,90                  | 4018                        | 2365                                      | 7              | 23                   | 3 x 730        | 1 x 730  | 2920 |
| OEA 3003 23 6DE  | 300                                      | 3  | 1~220              | 291               | 1,35                  | 6027                        | 3547                                      | 10             | 32 4/5               | 3 x 1030       | 1 x 1030 | 4120 |

Includes: Danfoss Expansion Valve TES2 with Orifice and Danfoss EVR Solenoid Valve with Coil.  
Incluye: Válvula de Expansión Danfoss TES2 con Orificio y Válvula Solenoide y Bobina Danfoss EVR.

## 110V

### General information / Datos generales

5 Fins per inch. With heater,  $Rt \geq -0,4^{\circ}F$   
Espacio entre aletas 6 mm. Con resistencia,  $Rt \geq -18^{\circ}C$

| Modelo<br>Modelo | Capacity / Capacidad<br>R404A/R507A |      |                    |      | Surface<br>Superficie |                 | Tube<br>Volume<br>Volumen<br>Interno |                 | Dimensions<br>Dimensiones |        |      |        |    |    |    |    |     |        |     |        | Net Weight<br>Peso Neto |       | Connection<br>Conexión |       |                  |     |                  |     |
|------------------|-------------------------------------|------|--------------------|------|-----------------------|-----------------|--------------------------------------|-----------------|---------------------------|--------|------|--------|----|----|----|----|-----|--------|-----|--------|-------------------------|-------|------------------------|-------|------------------|-----|------------------|-----|
|                  | te= -8°C<br>17,6°F                  |      | te= -25°C<br>-13°F |      |                       |                 |                                      |                 | A                         |        | B    |        | C  |    | D  |    | E   |        | F   |        |                         |       | G                      |       | Inlet<br>Entrada |     | Outlet<br>Salida |     |
|                  | DT1= 8K<br>14,4°F                   |      | DT1= 7K<br>12,6°F  |      | m <sup>2</sup>        | ft <sup>2</sup> | dm <sup>3</sup>                      | ft <sup>3</sup> | mm                        | in     | mm   | in     | mm | in | mm | in | mm  | in     | mm  | in     | kg                      | lb    | mm                     | in    | mm               | in  |                  |     |
|                  | BTU/h                               | Kw   | BTU/h              | Kw   |                       |                 |                                      |                 |                           |        |      |        |    |    |    |    |     |        |     |        |                         |       |                        |       |                  |     |                  |     |
| OEA 2501 06 6D-1 | 5425                                | 1,59 | 3942               | 1,15 | 6                     | 65              | 1,8                                  | 0,06            | 702                       | 27 5/8 | 420  | 16 1/2 | -  | -  | -  | -  | 430 | 17     | 350 | 13 3/4 | 200                     | 7 7/8 | 13                     | 28,66 | 12               | 1/2 | 16               | 5/8 |
| OEA 2502 11 6D-1 | 10452                               | 3,06 | 7631               | 2,24 | 11                    | 118             | 3,2                                  | 0,11            | 1094                      | 43     | 812  | 32     | -  | -  | -  | -  | 430 | 17     | 350 | 13 3/4 | 200                     | 7 7/8 | 23                     | 50,71 | 12               | 1/2 | 19               | 3/4 |
| OEA 2503 17 6D-1 | 15371                               | 4,50 | 11212              | 3,28 | 17                    | 183             | 4,7                                  | 0,17            | 1486                      | 58 1/2 | 1204 | 47 3/8 | -  | -  | -  | -  | 430 | 17     | 350 | 13 3/4 | 200                     | 7 7/8 | 33                     | 72,75 | 12               | 1/2 | 22               | 7/8 |
| OEA 3001 08 6D-1 | 7125                                | 2,09 | 5208               | 1,53 | 8                     | 86              | 2,4                                  | 0,08            | 702                       | 27 5/8 | 420  | 16 1/2 | -  | -  | -  | -  | 415 | 16 1/3 | 460 | 18 1/8 | 200                     | 7 7/8 | 18                     | 39,68 | 12               | 1/2 | 19               | 3/4 |
| OEA 3002 15 6D-1 | 14431                               | 4,23 | 10525              | 3,08 | 15                    | 161             | 4,3                                  | 0,15            | 1094                      | 43     | 812  | 32     | -  | -  | -  | -  | 415 | 16 1/3 | 460 | 18 1/8 | 200                     | 7 7/8 | 30                     | 66,14 | 12               | 1/2 | 22               | 7/8 |
| OEA 3003 23 6D-1 | 21845                               | 6,40 | 15914              | 4,66 | 23                    | 248             | 6,2                                  | 0,22            | 1486                      | 58 1/2 | 1204 | 47 3/8 | -  | -  | -  | -  | 415 | 16 1/3 | 460 | 18 1/8 | 250                     | 9 7/8 | 43                     | 94,80 | 12               | 1/2 | 22               | 7/8 |

### Electric data / Datos eléctricos

| Modelo<br>Modelo | Axial Fans<br>Ventilador con Motor Axial |    |                    |                   |                       |                             | Electric Defrost<br>Desescarche Eléctrico |                |                      |                |          |      |
|------------------|--|----|--------------------|-------------------|-----------------------|-----------------------------|---|----------------|----------------------|----------------|----------|------|
|                  | Diameter<br>Diámetro                     | Nº | Voltage<br>Voltaje | Power<br>Potencia | Current<br>Intensidad | Air Flow<br>Volumen de Aire | Air Throw<br>Tiro                         | Coil<br>Aletas | Drain Pan<br>Desagüe | Total<br>Total |          |      |
|                  |  |    | V 60 Hz            | W                 | A                     | m <sup>3</sup> /h           | CFM                                       | m              | ft                   | w              | w        | w    |
| OEA 2501 06 6D-1 | 250                                      | 1  | 1~110              | 58                | 0,52                  | 1183                        | 696                                       | 4              | 13 1/8               | 2 x 440        | 1 x 440  | 1320 |
| OEA 2502 11 6D-1 | 250                                      | 2  | 1~110              | 116               | 1,05                  | 2366                        | 1393                                      | 7              | 23                   | 2 x 730        | 1 x 730  | 2190 |
| OEA 2503 17 6D-1 | 250                                      | 3  | 1~110              | 174               | 1,58                  | 3549                        | 2089                                      | 8              | 26 1/4               | 2 x 1030       | 1 x 1030 | 3090 |
| OEA 3001 08 6D-1 | 300                                      | 1  | 1~110              | 97                | 0,88                  | 2009                        | 1182                                      | 5              | 16 2/5               | 3 x 440        | 1 x 440  | 1760 |
| OEA 3002 15 6D-1 | 300                                      | 2  | 1~110              | 194               | 1,76                  | 4018                        | 2365                                      | 7              | 23                   | 3 x 730        | 1 x 730  | 2920 |
| OEA 3003 23 6D-1 | 300                                      | 3  | 1~110              | 291               | 2,64                  | 6027                        | 3547                                      | 10             | 32 4/5               | 3 x 1030       | 1 x 1030 | 4120 |



Selection diagram / Diagrama de selección

