

UCGC0025RWB000B

Air Cooled Condensing Unit

R134a

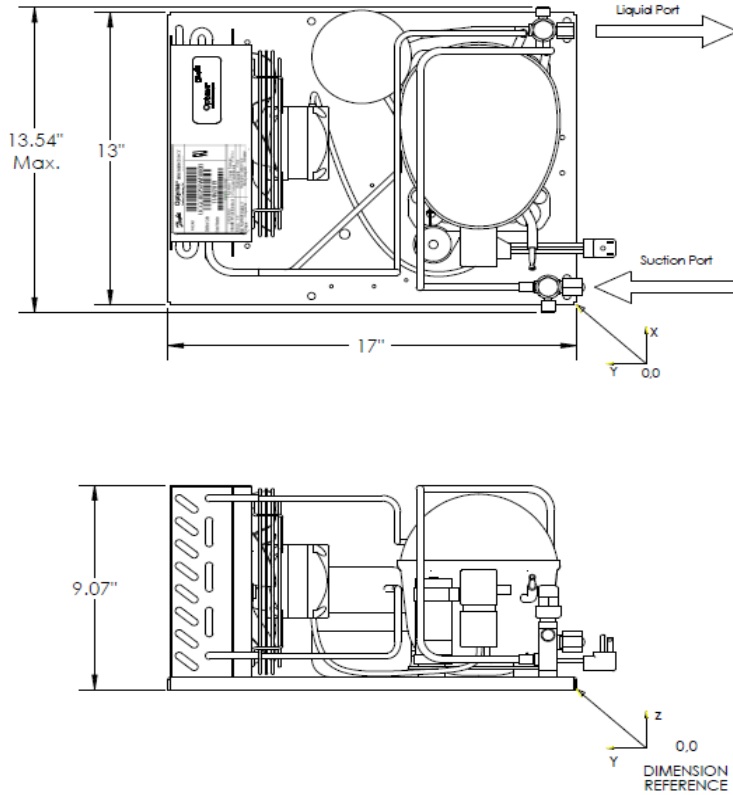
115V/60Hz/1Ph



CODE: 114N2019

Data sheet

Dimensional drawing



General

Condensing unit	UCGC0025RWB000B
Code number	114N2019
Unit weight	Lbs 45.50
UL file	recognized SA6674

Condensing unit application

Application range	MBP/HBP
Refrigerant	R134a
Evaporating temperature range	°F 0 to 45
Max. ambient temperature	°F 110
Low / High side design pressure	psig 87/185

Compressor

Compressor model	NF7.3FX2
Compressor code	105G5722
Nominal horse power	1/4
Displacement	cu.in/rev. 0.44
Nominal voltage	V/Hz/Ph 115/60/1
Motor type	*CSIR
Compressor cooling	Air cooled

* CSIR= Capacitor Start-Induction Run

Electrical data

Voltage range	V	95-135
Unit MFS	A	15.0
Unit MCA	A	6.4
Compressor RLA	A	4.7
Compressor LRA	A	28.2
Compr. resist, main winding (77°F)	Ohm	1.9
Compr. resist, start winding (77°F)	Ohm	6.6
Fan motor power	W	9
Fan FLA (each)	A	0.45
Power cord length and gauge	Inch	36/16

Condenser

Condenser type	Cu-Al
Condenser coil number	119-3169
Fan blade diameter (ccw)	Inch 8
Fan blade pitch	30°
Air flow	CFM 270

Connectors

Suction port diameter	Inch	3/8 F
Liquid port diameter	Inch	1/4 F
Process port diameter	Inch	1/4 F

S= Solder F= Flare

Dimensions

Max. unit height (H)	Inch	9,0
Max. unit width (W)	Inch	13,5
Max. unit length (D)	Inch	17,0
Base plate	Inch	14 x 10,25
Mounting holes (a x b)	Inch	10,6 x 12,2 5/16 diam.
Suction port (XYZ)	Inch	0,79, -0,34, 2,11
Liquid port (XYZ)	Inch	12,2, 0,12, 2,11

Accessories

			Part number	std	opt
Receiver	lbs @ 90%	2,16	118U0520	X	
Suction valve		3/8 F	119-3610	X	
Discharge valve		1/4 F	119-3609	X	
Filter drier		DML032S	023Z8129		X
Power cord	Inch / gauge	36 / 16	119-3707	X	
Non corrosive base plate with drain pan	Inch	17x13	119-3958		X
Large electrical box			119-3723		X
H. P. cartridge control		ACB-2UB215W	061F605000		X
L. P. adjustable control		KPU1	060-5233		X
Fan cycling		KPU5	060-5242		X
Crankcase heater		50W 115V	119-3957		X

NOTE: The use of optional accessories will change the code & model numbers of the units. Dimensions may change.

UCGC0025RWB000B

Air Cooled Condensing Unit
 R134a 115V/60Hz/1Ph
 CODE: 114N2019



Data sheet

Evaporating temperature	°F	-40	-35	-30	-25	-20	-15	-10	-5	0	5	10	15	20	25	30	35	40	45
	°C	-40,0	-37,2	-34,4	-31,7	-28,9	-26,1	-23,3	-20,6	-17,8	-15,0	-12,2	-9,4	-6,7	-3,9	-1,1	1,7	4,4	7,2

Ambient 110°F 43,3°C	Capacity (Btu/h)									1.024	1.163	1.301	1.461	1.620	1.802	1.983	2.186	2.389	
	Capacity (W)									300	341	382	428	475	528	582	641	701	
	Power consumption (W)									277	294	311	328	345	363	382	401	420	
	Current [A]									3,9	4,0	4,1	4,2	4,4	4,5	4,6	4,8	4,9	
	EER (Btu/h/w)									3,69	3,94	4,19	4,44	4,69	4,94	5,20	5,44	5,69	

Ambient 100°F 37,8°C	Capacity (Btu/h)									1.109	1.258	1.407	1.580	1.752	1.948	2.144	2.364	2.583	2.819
	Capacity (W)									325	369	413	463	514	571	629	693	757	827
	Power consumption (W)									272	288	303	319	336	353	370	388	407	426
	Current [A]									3,9	4,0	4,1	4,2	4,3	4,4	4,5	4,6	4,8	4,9
	EER (Btu/h/w)									4,08	4,36	4,64	4,93	5,22	5,51	5,80	6,08	6,35	6,61

Ambient 90°F 32,2°C	Capacity (Btu/h)									1.193	1.353	1.514	1.699	1.884	2.095	2.306	2.541	2.776	3.029
	Capacity (W)									350	397	444	498	553	614	676	745	814	888
	Power consumption (W)									266	281	296	311	326	342	358	375	393	412
	Current [A]									3,8	3,9	4,0	4,1	4,2	4,3	4,4	4,5	4,7	4,8
	EER (Btu/h/w)									4,48	4,80	5,12	5,45	5,78	6,11	6,44	6,75	7,07	7,36

Ambient 80°F 26,7°C	Capacity (Btu/h)									1.278	1.449	1.620	1.818	2.016	2.242	2.467	2.718	2.970	3.240
	Capacity (W)									375	425	475	533	591	657	723	797	871	950
	Power consumption (W)									261	274	288	302	316	331	346	363	379	397
	Current [A]									3,8	3,9	4,0	4,0	4,1	4,2	4,3	4,4	4,5	4,7
	EER (Btu/h/w)									4,88	5,24	5,60	5,97	6,35	6,71	7,08	7,43	7,78	8,10

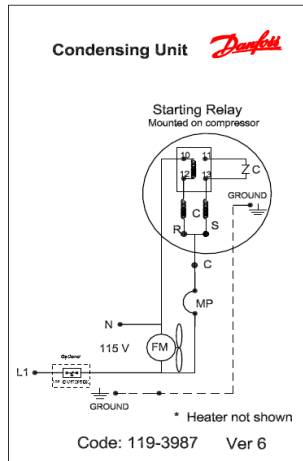
Rating at ARI : Return gas temperature 65°F

Nameplate



General nameplate shown

Circuit diagram



Danfoss can not accept responsibility for possible errors in catalogues, brochures and other printed material. Danfoss reserves the right to alter its products without notice. This also applies to products already on order provided that such alterations can be made without subsequent changes being necessary in specifications already agreed. All trademarks in this material are property of the respective companies. Danfoss and Danfoss logotype are trademarks of Danfoss A/S. All rights reserved